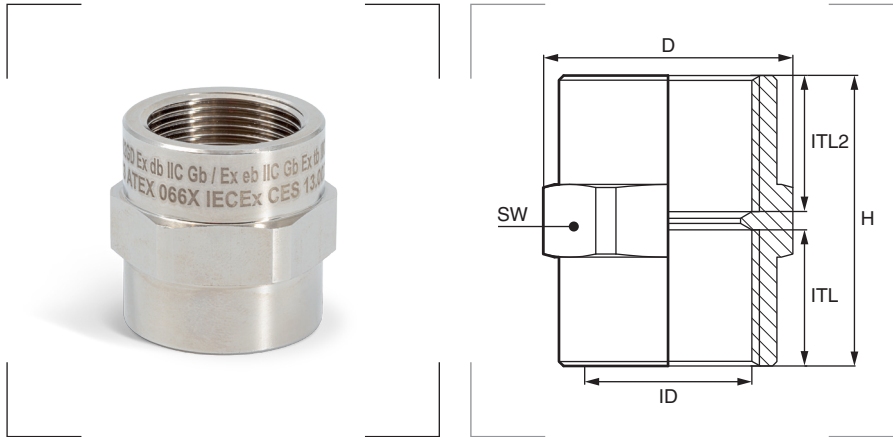


Manguito ARIES

1/4



Marcado del equipo

Ex II 2GD
Ex db IIC Gb Ex eb IIC Gb Ex tb IIIC Db

Para uso en

Grupo II, grupo gas IIC, zona 1, 2.
Grupo III, grupo gas IIIC, zona 21, 22.

Grado de protección

Polvo/agua: IP66 - IP68, 5 bar, 30 min.

Materiales

Cuerpo de latón niquelado o de acero inoxidable 316L.

Certificados y normas aplicables



Temperatura de trabajo

-40°C a +100°C (junta de cloropreno).
-60°C a +130°C (junta de silicona).

Para completar la referencia sustituya la # por **BN** para prensaestopas de latón niquelado o **X** para prensaestopas de acero inoxidable.

Por ejemplo: para un manguito de NPT 3/8" hembra a métrica 16 hembra, de latón niquelado, la referencia será **B-RM01N01MBN**.

Rosca NPT hembra / métrica hembra

Referencia	Rosca hembra	Rosca hembra	ITL mm	ITL2 mm	SW mm	D mm	ID mm	H mm	Embalaje unidades
B-RM01N01M#	NPT 3/8"	M 16 x 1,5	15,0	15,0	20	22,0	12,5	32,0	1
B-RM1N01M#	NPT 1/2"	M 16 x 1,5	15,0	15,0	25	27,5	14,0	33,0	1
B-RM1N1M#		M 20 x 1,5	15,0	15,0	25	27,5	16,0	32,0	1
B-RM2N01M#	NPT 3/4"	M 16 x 1,5	15,0	15,0	32	35,0	12,5	35,0	1
B-RM2N1M#		M 20 x 1,5	15,0	15,0	32	35,0	16,0	34,0	1
B-RM2N2M#		M 25 x 1,5	15,0	15,0	32	35,0	21,0	33,0	1
B-RM3N1M#	NPT 1"	M 20 x 1,5	15,0	15,0	36	39,5	16,0	36,0	1
B-RM3N2M#		M 25 x 1,5	15,0	15,0	36	39,5	21,0	34,0	1
B-RM3N3M#		M 32 x 1,5	15,0	15,0	36	39,5	27,0	33,0	1
B-RM4N2M#	NPT 1 1/4"	M 25 x 1,5	18,0	15,0	45	50,0	21,0	40,0	1
B-RM4N3M#		M 32 x 1,5	18,0	15,0	45	50,0	27,0	38,0	1
B-RM4N4M#		M 40 x 1,5	18,0	18,0	45	50,0	36,0	39,0	1
B-RM5N3M#	NPT 1 1/2"	M 32 x 1,5	18,0	15,0	55	61,0	27,0	41,0	1
B-RM5N4M#		M 40 x 1,5	18,0	18,0	55	61,0	36,0	41,0	1
B-RM5N5M#		M 50 x 1,5	18,0	18,0	55	61,0	41,5	40,0	1
B-RM6N5M#	NPT 2"	M 50 x 1,5	18,0	18,0	65	72,0	47,0	41,0	1
B-RM6N6M#		M 60 x 1,5	18,0	18,0	65	72,0	53,5	41,0	1
B-RM6N6M#		M 63 x 1,5	18,0	18,0	65	72,0	53,5	41,0	1
B-RM7N6M#	NPT 2 1/2"	M 63 x 1,5	28,0	18,0	80	88,5	58,0	51,0	1
B-RM7N7M#		M 70 x 1,5	28,0	18,0	80	88,5	63,0	52,0	1
B-RM7N7M#		M 75 x 1,5	28,0	18,0	80	88,5	63,0	52,0	1
B-RM8N8M#	NPT 3"	M 80 x 1,5	28,0	18,0	95	105,0	75,0	51,0	1
B-RM8N85M#		M 85 x 1,5	28,0	18,0	95	105,0	78,0	51,0	1
B-RM8N8M#		M 90 x 1,5	28,0	21,0	95	105,0	79,0	55,0	1
B-RM9N85M#	NPT 3 1/2"	M 85 x 1,5	28,0	18,0	110	123,0	80,0	55,0	1
B-RM9N8M#		M 90 x 1,5	28,0	21,0	110	123,0	84,0	56,0	1
B-RM9N9M#		M 100 x 1,5	28,0	21,0	110	123,0	90,0	56,0	1
B-RM10N8M#	NPT 4"	M 90 x 1,5	28,0	21,0	120	133,5	85,0	60,0	1
B-RM10N9M#		M 100 x 1,5	28,0	21,0	120	133,5	95,0	57,0	1
B-RM10N10M#		M 110 x 1,5	28,0	21,0	120	133,5	103,0	55,0	1

Manguito ARIES

2/4

Rosca métrica hembra / métrica hembra

Referencia	Rosca hembra	Rosca hembra	ITL mm	ITL2 mm	SW mm	D mm	ID mm	H mm	Embalaje unidades	
B-RM01M01M#	M 16 x 1,5	M 16 x 1,5	15,0	15,0	20	22,0	13,5	33,0	1	
B-RM1M01M#		M 20 x 1,5	15,0	15,0	25	27,5	13,5	32,0	1	
B-RM2M01M#		M 25 x 1,5	15,0	15,0	32	35,0	13,5	35,0	1	
B-RM1M01M#	M 20 x 1,5	M 16 x 1,5	15,0	15,0	25	27,5	13,5	32,0	1	
B-RM1M1M#		M 20 x 1,5	15,0	15,0	25	27,5	17,0	32,0	1	
B-RM2M1M#		M 25 x 1,5	15,0	15,0	32	35,0	17,0	33,0	1	
B-RM3M1M#	M 25 x 1,5	M 32 x 1,5	15,0	15,0	36	39,5	17,0	36,0	1	
B-RM2M01M#		M 16 x 1,5	15,0	15,0	32	35,0	13,5	35,0	1	
B-RM2M1M#		M 20 x 1,5	15,0	15,0	32	35,0	17,0	33,0	1	
B-RM2M2M#		M 25 x 1,5	15,0	15,0	32	35,0	22,0	33,0	1	
B-RM3M2M#		M 32 x 1,5	15,0	15,0	36	39,5	22,0	34,0	1	
B-RM4M2M#		M 40 x 1,5	15,0	18,0	45	50,0	22,0	40,0	1	
B-RM3M1M#	M 32 x 1,5	M 20 x 1,5	15,0	15,0	36	39,5	17,0	36,0	1	
B-RM3M2M#		M 25 x 1,5	15,0	15,0	36	39,5	22,0	34,0	1	
B-RM3M3M#		M 32 x 1,5	15,0	15,0	36	39,5	29,0	32,0	1	
B-RM4M3M#		M 40 x 1,5	15,0	18,0	45	50,0	29,0	37,0	1	
B-RM5M3M#	M 40 x 1,5	M 50 x 1,5	15,0	18,0	55	61,0	29,0	41,0	1	
B-RM4M2M#		M 25 x 1,5	18,0	15,0	45	50,0	22,0	40,0	1	
B-RM4M3M#		M 32 x 1,5	18,0	15,0	45	50,0	29,0	37,0	1	
B-RM4M4M#		M 40 x 1,5	18,0	18,0	45	50,0	37,0	38,0	1	
B-RM5M4M#		M 50 x 1,5	18,0	18,0	55	61,0	37,0	40,0	1	
B-RM6M4M#		M 60 x 1,5	18,0	18,0	68	75,0	36,0	45,0	1	
B-RM5M3M#		M 50 x 1,5	M 32 x 1,5	18,0	15,0	55	61,0	29,0	41,0	1
B-RM5M4M#			M 40 x 1,5	18,0	18,0	55	61,0	37,0	40,0	1
B-RM5M5M#			M 50 x 1,5	18,0	18,0	55	61,0	47,0	38,0	1
B-RM6M5M#			M 60 x 1,5	18,0	18,0	68	75,0	47,0	41,0	1
B-RM6M5M#	M 60 x 1,5	M 63 x 1,5	18,0	18,0	68	75,0	47,0	41,0	1	
B-RM6M4M#		M 40 x 1,5	18,0	18,0	68	75,0	36,0	45,0	1	
B-RM6M5M#		M 50 x 1,5	18,0	18,0	68	75,0	47,0	41,0	1	
B-RM6M6M#		M 60 x 1,5	18,0	18,0	68	75,0	55,0	40,0	1	
B-RM6M6M#		M 63 x 1,5	18,0	18,0	68	75,0	55,0	40,0	1	
B-RM6M5M#		M 50 x 1,5	18,0	18,0	68	75,0	47,0	41,0	1	
B-RM6M6M#	M 63 x 1,5	M 60 x 1,5	18,0	18,0	68	75,0	55,0	40,0	1	
B-RM6M6M#		M 63 x 1,5	18,0	18,0	68	75,0	60,0	38,0	1	
B-RM7M6M#		M 75 x 1,5	18,0	18,0	80	88,5	60,0	41,0	1	
B-RM7M7M#	M 70 x 1,5	M 75 x 1,5	18,0	18,0	80	88,5	65,0	41,0	1	
B-RM8M7M#		M 80 x 1,5	18,0	18,0	90	100,0	65,0	43,0	1	
B-RM7M6M#	M 75 x 1,5	M 63 x 1,5	18,0	18,0	80	88,5	60,0	41,0	1	
B-RM7M7M#		M 70 x 1,5	18,0	18,0	80	88,5	65,0	41,0	1	
B-RM7M7M#		M 75 x 1,5	18,0	18,0	80	88,5	72,0	38,0	1	
B-RM8M7M#		M 80 x 1,5	18,0	18,0	90	100,0	72,0	40,0	1	
B-RM85M7M#		M 85 x 1,5	18,0	18,0	95	105,0	72,0	41,0	1	
B-RM8M7M#	M 80 x 1,5	M 75 x 1,5	18,0	18,0	90	100,0	72,0	40,0	1	
B-RM8M7M#		M 70 x 1,5	18,0	18,0	90	100,0	65,0	43,0	1	
B-RM8M8M#		M 80 x 1,5	18,0	18,0	90	100,0	75,0	40,0	1	
B-RM85M8M#		M 85 x 1,5	18,0	18,0	95	105,0	75,0	41,0	1	
B-RM8M8M#	M 85 x 1,5	M 90 x 1,5	18,0	21,0	95	105,0	75,0	46,0	1	
B-RM85M7M#		M 75 x 1,5	18,0	18,0	95	105,0	72,0	41,0	1	
B-RM85M8M#		M 80 x 1,5	18,0	18,0	95	105,0	75,0	41,0	1	
B-RM85M85M#		M 85 x 1,5	18,0	18,0	95	105,0	80,0	40,0	1	
B-RM8M85M#		M 90 x 1,5	18,0	21,0	95	105,0	80,0	44,0	1	
B-RM9M85M#		M 100 x 1,5	18,0	21,0	110	123,0	80,0	48,0	1	
B-RM8M8M#	M 90 x 1,5	M 80 x 1,5	21,0	18,0	95	105,0	75,0	46,0	1	
B-RM8M85M#		M 85 x 1,5	21,0	18,0	95	105,0	80,0	44,0	1	
B-RM8M8M#		M 90 x 1,5	21,0	21,0	95	105,0	87,0	44,0	1	
B-RM9M8M#		M 100 x 1,5	21,0	21,0	110	123,0	87,0	48,0	1	
B-RM10M8M#	M 100 x 1,5	M 100 x 1,5	21,0	21,0	120	133,5	87,0	51,0	1	
B-RM9M85M#		M 85 x 1,5	21,0	18,0	110	123,0	80,0	48,0	1	
B-RM9M8M#		M 90 x 1,5	21,0	21,0	110	123,0	87,0	48,0	1	
B-RM9M9M#		M 100 x 1,5	21,0	21,0	110	123,0	95,0	46,0	1	
B-RM10M9M#		M 110 x 1,5	21,0	21,0	120	133,5	95,0	50,0	1	
B-RM10M8M#		M 90 x 1,5	21,0	21,0	120	133,5	87,0	51,0	1	
B-RM10M9M#	M 110 x 1,5	M 100 x 1,5	21,0	21,0	120	133,5	95,0	50,0	1	
B-RM10M10M#		M 110 x 1,5	21,0	21,0	120	133,5	107,0	44,0	1	

Nota: GAESTOPAS certifica que los datos aquí expuestos son una fiel reproducción de los datos facilitados por el fabricante.

Manguito ARIES

3/4

Rosca métrica hembra / NPT hembra

Referencia	Rosca hembra	Rosca hembra	ITL mm	ITL2 mm	SW mm	D mm	ID mm	H mm	Embalaje unidades
B-RM01N01M#	M 16 x 1,5	NPT 3/8"	15,0	15,0	20	22,0	12,5	32,0	1
B-RM1N01M#		NPT 1/2"	15,0	15,0	25	27,5	14,0	33,0	1
B-RM2N01M#		NPT 3/4"	15,0	15,0	32	35,0	12,5	35,0	1
B-RM1N1M#	M 20 x 1,5	NPT 1/2"	15,0	15,0	25	27,5	16,0	32,0	1
B-RM2N1M#		NPT 3/4"	15,0	15,0	32	35,0	16,0	34,0	1
B-RM3N1M#		NPT 1"	15,0	15,0	36	39,5	16,0	36,0	1
B-RM2N2M#	M 25 x 1,5	NPT 3/4"	15,0	15,0	32	35,0	21,0	33,0	1
B-RM4N2M#		NPT 1 1/4"	15,0	18,0	45	50,0	21,0	40,0	1
B-RM3N3M#		NPT 1"	15,0	15,0	36	39,5	27,0	33,0	1
B-RM4N3M#	M 32 x 1,5	NPT 1 1/4"	15,0	18,0	45	50,0	27,0	38,0	1
B-RM5N3M#		NPT 1 1/2"	15,0	18,0	55	61,0	27,0	41,0	1
B-RM4N4M#		NPT 1 1/4"	18,0	18,0	45	50,0	36,0	39,0	1
B-RM5N4M#	M 40 x 1,5	NPT 1 1/2"	18,0	18,0	55	61,0	36,0	41,0	1
B-RM5N5M#		NPT 1 1/2"	18,0	18,0	55	61,0	41,5	40,0	1
B-RM6N5M#		NPT 2"	18,0	18,0	65	72,0	47,0	41,0	1
B-RM6N6M#	M 60 x 1,5	NPT 2"	18,0	18,0	65	72,0	53,5	41,0	1
B-RM7N6M#		NPT 2 1/2"	18,0	28,0	80	88,5	58,0	51,0	1
B-RM7N7M#		NPT 2 1/2"	18,0	28,0	80	88,5	63,0	52,0	1
B-RM8N8M#	M 80 x 1,5	NPT 3"	18,0	28,0	95	105,0	75,0	51,0	1
B-RM8N85M#		NPT 3"	18,0	28,0	95	105,0	78,0	51,0	1
B-RM9N85M#		NPT 3 1/2"	18,0	28,0	110	123,0	80,0	55,0	1
B-RM8N8M#	M 90 x 1,5	NPT 3"	21,0	28,0	95	105,0	79,0	55,0	1
B-RM9N8M#		NPT 3 1/2"	21,0	28,0	110	123,0	84,0	56,0	1
B-RM10N8M#		NPT 4"	21,0	28,0	120	133,5	85,0	60,0	1
B-RM9N9M#	M 100 x 1,5	NPT 3 1/2"	21,0	28,0	110	123,0	90,0	56,0	1
B-RM10N9M#		NPT 4"	21,0	28,0	120	133,5	95,0	57,0	1
B-RM10N10M#		NPT 4"	21,0	28,0	120	133,5	103,0	55,0	1

Manguito ARIES

4/4

Rosca NPT hembra / NPT hembra

Referencia	Rosca hembra	Rosca hembra	ITL mm	ITL2 mm	SW mm	D mm	ID mm	H mm	Embalaje unidades
B-RM01N01N#	NPT 3/8"	NPT 3/8"	15,0	15,0	20	22,0	12,5	32,0	1
B-RM1N01N#		NPT 1/2"	15,0	15,0	25	27,5	12,5	33,0	1
B-RM2N01N#		NPT 3/4"	15,0	15,0	32	35,0	12,5	35,0	1
B-RM1N01N#	NPT 1/2"	NPT 3/8"	15,0	15,0	25	27,5	12,5	33,0	1
B-RM1N1N#		NPT 1/2"	15,0	15,0	25	27,5	16,0	32,0	1
B-RM2N1N#		NPT 3/4"	15,0	15,0	32	35,0	16,0	33,0	1
B-RM3N1N#		NPT 1"	15,0	15,0	36	39,5	16,0	36,0	1
B-RM2N01N#	NPT 3/4"	NPT 3/8"	15,0	15,0	32	35,0	12,5	35,0	1
B-RM2N1N#		NPT 1/2"	15,0	15,0	32	35,0	16,0	33,0	1
B-RM2N2N#		NPT 3/4"	15,0	15,0	32	35,0	21,0	32,0	1
B-RM3N2N#		NPT 1"	15,0	15,0	36	39,5	21,0	34,0	1
B-RM4N2N#		NPT 1 1/4"	15,0	18,0	45	50,0	21,0	40,0	1
B-RM3N1N#	NPT 1"	NPT 1/2"	15,0	15,0	36	39,5	16,0	36,0	1
B-RM3N2N#		NPT 3/4"	15,0	15,0	36	39,5	21,0	34,0	1
B-RM3N3N#		NPT 1"	15,0	15,0	36	39,5	27,0	32,0	1
B-RM4N3N#		NPT 1 1/4"	15,0	18,0	45	50,0	27,0	38,0	1
B-RM4N2N#	NPT 1 1/4"	NPT 3/4"	18,0	15,0	45	50,0	21,0	40,0	1
B-RM5N3N#	NPT 1"	NPT 1 1/2"	15,0	18,0	55	61,0	27,0	40,0	1
B-RM4N3N#	NPT 1 1/4"	NPT 1"	18,0	15,0	45	50,0	27,0	38,0	1
B-RM4N4N#		NPT 1 1/4"	18,0	18,0	45	50,0	35,0	39,0	1
B-RM5N4N#		NPT 1 1/2"	18,0	18,0	55	61,0	35,0	41,0	1
B-RM6N4N#		NPT 2"	18,0	18,0	65	72,0	35,0	45,0	1
B-RM5N3N#	NPT 1 1/2"	NPT 1"	18,0	15,0	55	61,0	27,0	40,0	1
B-RM5N4N#		NPT 1 1/4"	18,0	18,0	55	61,0	35,0	41,0	1
B-RM5N5N#		NPT 1 1/2"	18,0	18,0	55	61,0	41,5	39,0	1
B-RM6N5N#		NPT 2"	18,0	18,0	65	72,0	41,5	43,0	1
B-RM7N5N#		NPT 2 1/2"	18,0	28,0	80	88,5	41,5	56,0	1
B-RM6N4N#	NPT 2"	NPT 1 1/4"	18,0	18,0	65	72,0	35,0	45,0	1
B-RM6N5N#		NPT 1 1/2"	18,0	18,0	65	72,0	41,5	43,0	1
B-RM6N6N#		NPT 2"	18,0	18,0	65	72,0	53,5	39,0	1
B-RM7N6N#		NPT 2 1/2"	18,0	28,0	80	88,5	53,5	53,0	1
B-RM8N6N#	NPT 2 1/2"	NPT 3"	18,0	28,0	95	105,0	53,5	58,0	1
B-RM7N5N#		NPT 1 1/2"	28,0	18,0	80	88,5	41,5	56,0	1
B-RM7N6N#		NPT 2"	28,0	18,0	80	88,5	53,5	53,0	1
B-RM7N7N#		NPT 2 1/2"	28,0	28,0	80	88,5	64,0	60,0	1
B-RM8N7N#		NPT 3"	28,0	28,0	95	105,0	64,0	64,0	1
B-RM9N7N#	NPT 3"	NPT 3 1/2"	28,0	28,0	110	123,0	64,0	69,0	1
B-RM8N6N#		NPT 2"	28,0	18,0	95	105,0	53,5	58,0	1
B-RM8N7N#		NPT 2 1/2"	28,0	28,0	95	105,0	64,0	64,0	1
B-RM8N8N#		NPT 3"	28,0	28,0	95	105,0	80,0	59,0	1
B-RM9N8N#		NPT 3 1/2"	28,0	28,0	110	123,0	80,0	64,0	1
B-RM9N8N#		NPT 3 1/2"	28,0	28,0	110	123,0	80,0	64,0	1
B-RM10N8N#		NPT 4"	28,0	28,0	120	133,5	80,0	62,0	1
B-RM9N7N#		NPT 3 1/2"	NPT 2 1/2"	28,0	28,0	110	123,0	64,0	69,0
B-RM9N8N#	NPT 3"		28,0	28,0	110	123,0	80,0	64,0	1
B-RM9N9N#	NPT 3 1/2"		28,0	28,0	110	123,0	90,0	62,0	1
B-RM10N9N#	NPT 4"		28,0	28,0	120	133,5	90,0	65,0	1
B-RM10N8N#	NPT 4"	NPT 3"	28,0	28,0	120	133,5	80,0	62,0	1
B-RM10N10N#		NPT 4"	28,0	28,0	120	133,5	105,0	59,0	1
B-RM10N9N#		NPT 3 1/2"	28,0	28,0	120	133,5	90,0	65,0	1