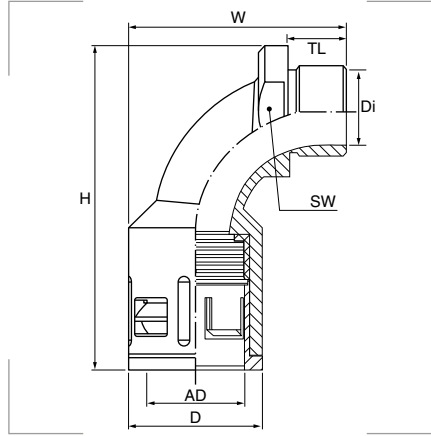


Racor RQB 90

Grado de protección
 Polvo/agua: IP68 - IP69K.

Materiales
 Cuerpo de poliamida PA.
 Junta de poliéster termoplástico TPE.

Colores
 Negro
 Gris oscuro

Certificados y normas aplicables

 EN / IEC 61386-23
 UL 1696 | CSA 22.2 UR file E86359
 EN 45545-2 [HL 2]
 ASTM E162|E662 SMP 800-C

Temperatura de trabajo
 -40°C hasta +120°C.

Descripción

Racor arqueado de poliamida 90° de conexión rápida, con rosca macho, alta densidad.

Propiedades

- Resistente al aceite y a la gasolina.
- Altamente resistente a los ácidos y a los disolventes.
- Libre de silicona, cadmio y halógenos.

Rosca métrica

Referencia Negro	Referencia Gris oscuro	Modelo Ø mm		Métrica EN 60423	Di Ø mm	D Ø mm	TL mm	H mm	W mm	SW mm	Peso Kg/100	Embalaje unidades
		DN	AD									
5103.010.212	5103.010.012	7,5	10,0	M 12 x 1,5	6,5	17,0	10,0	57,0	39,0	18	0,800	50
5103.013.216	5103.013.016	10	13,0	M 16 x 1,5	8,5	20,0	12,0	59,0	40,5	21	1,000	50
5103.015.220	5103.015.020	12	15,8	M 20 x 1,5	10,0	23,0	12,0	62,0	45,0	24	1,500	50
5103.021.220	5103.021.020	17	21,2	M 20 x 1,5	13,0	29,5	12,0	73,0	48,0	26	2,000	50
5103.021.225	5103.021.025			M 25 x 1,5	14,5		13,0				2,300	
5103.028.225	5103.028.025	23	28,5	M 25 x 1,5	17,0	37,0	13,0	90,0	64,0	32	3,300	25
5103.028.232	5103.028.032			M 32 x 1,5	20,0		14,0				85,0	
5103.034.232	5103.034.032	29	34,5	M 32 x 1,5	23,0	44,0	14,0	100,5	74,0	39	5,000	10
5103.034.240	5103.034.040			M 40 x 1,5	29,0						45	
5103.042.240	5103.042.040	37	42,5	M 40 x 1,5	31,5	52,0	17,0	111,0	82,5	48	6,700	10
5103.042.250	5103.042.050			M 50 x 1,5	36,0						59	
5103.054.250	5103.054.050	50	54,5	M 50 x 1,5	35,5	64,0	17,0	124,5	98,0	60	10,300	5
5103.054.263	5103.054.063			M 63 x 1,5	45,5						70	

Rosca PG

Referencia Negro	Referencia Gris oscuro	Modelo Ø mm		PG DIN 40430	Di Ø mm	D1 Ø mm	D2 mm	TL mm	H mm	SW mm	Peso Kg/100	Embalaje unidades
		DN	AD									
5020.090.207	-	7,5	10,0	PG 7	6,5	17,0	10,0	57,0	39,0	18	0,800	50
5020.090.209	-	10	13,0	PG 9	8,5	20,0	12,0	59,0	40,5	21	1,000	50
5020.090.211	-	12	15,8	PG 11	10,0	23,0	12,0	62,0	45,0	24	1,300	50
5020.090.213	-	14	18,5	PG 13,5	12,5	25,0	12,0	65,0	47,0	27	1,700	50
5020.090.216	-	17	21,2	PG 16	14,5	29,5	13,0	73,0	48,0	26	2,100	50
5020.090.221	-	23	28,5	PG 21	20,0	37,0	14,0	85,0	64,0	36	3,200	25
5020.090.229	-	29	34,5	PG 29	30,0	44,0	14,0	100,5	74,0	45	5,200	10
5020.090.236	-	37	42,5	PG 36	36,0	52,0	17,0	108,0	82,5	58	8,300	10
5020.090.248	-	50	54,5	PG 48	45,5	64,0	15,5	124,5	97,0	70	11,600	5