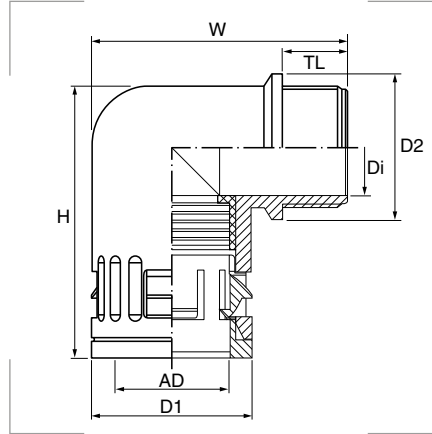


Racor RQW

Grado de protección
 Polvo/agua: IP68 - IP69K.

Materiales
 Cuerpo de poliamida PA.
 Junta de poliéster termoplástico TPE.

Colores
 Negro
 Gris oscuro

Certificados y normas aplicables

 EN / IEC 61386-23
 UL 1696 | CSA 22.2 UR file E86359
 EN 45545-2 [HL 2]
 ASTM E162|E662 SMP 800-C

Temperatura de trabajo
 -40°C hasta +120°C.

Descripción

Racor acodado de poliamida 90° de conexión rápida, con rosca macho y cierre exterior de estanqueidad, alta densidad.

Propiedades

- Resistente al aceite y a la gasolina.
- Altamente resistente a los ácidos y a los disolventes.
- Libre de silicona, cadmio y halógenos.

Rosca métrica

Referencia Negro	Referencia Gris oscuro	Modelo Ø mm		Métrica EN 60423	Di Ø mm	D1 Ø mm	TL mm	H mm	W mm	D2 mm	Peso Kg/100	Embalaje unidades
		DN	AD									
5020.064.210	5020.064.010	7,5	10,0	M 10 x 1,0	6,0	17,0	12,0	33,5	34,5	16,0	0,600	50
5020.064.212	5020.064.012	10	13,0	M 12 x 1,5	8,0	20,0	10,0	36,0	34,0	20,0	0,760	50
5020.036.216	5020.036.016			M 16 x 1,5	12,0		12,0	36,0	36,5	20,0	0,720	
5020.064.216	5020.064.016	12	15,8	M 16 x 1,5	12,0	23,0	12,0	42,0	40,5	24,5	1,080	50
5020.036.220	5020.036.020			M 20 x 1,5	15,5		13,0	42,0	41,5	24,5	1,060	
5020.064.220	5020.064.020	17	21,2	M 20 x 1,5	14,8	29,5	13,0	50,0	49,0	27,0	2,000	50
5020.036.225	5020.036.025			M 25 x 1,5	18,0		13,0	50,0	49,0	29,5	1,940	
5020.064.225	5020.064.025	23	28,5	M 25 x 1,5	19,0	37,0	13,0	57,0	57,0	34,0	3,120	25
5020.036.232	5020.036.032			M 32 x 1,5	24,0		15,0	57,0	59,0	37,0	3,040	
5020.064.232	5020.064.032	29	34,5	M 32 x 1,5	24,0	44,0	15,0	67,5	65,0	43,0	4,800	10
5020.036.240	5020.036.040			M 40 x 1,5	32,0		15,0	67,5	67,0	45,0	4,400	
5020.064.240	5020.064.040	37	42,5	M 40 x 1,5	32,0	52,0	15,0	83,0	72,0	51,5	7,000	10
5020.036.250	5020.036.050			M 50 x 1,5	39,0		15,5	83,0	74,5	55,0	7,300	
5020.064.250	5020.064.050	50	54,5	M 50 x 1,5	39,0	64,0	15,0	94,0	84,0	64,0	11,400	5
5020.036.263	5020.036.063			M 63 x 1,5	53,0		16,0	94,0	85,5	68,0	10,800	

Rosca PG

Referencia Negro	Referencia Gris oscuro	Modelo Ø mm		PG DIN 40430	Di Ø mm	D1 Ø mm	TL mm	H mm	W mm	D2 mm	Peso Kg/100	Embalaje unidades
		DN	AD									
5020.028.207	5020.028.007	7,5	10,0	PG 7	7,0	17,0	9,5	34,0	33,0	16,0	0,560	50
5020.028.209	5020.028.009	10	13,0	PG 9	12,0	20,0	10,0	37,0	34,0	20,0	0,680	50
5020.029.211	-			PG 11	14,0			39,0	34,0	23,0	0,780	
5020.029.213	-			PG 13,5	15,5			41,0	35,0	25,0	0,860	
5020.028.211	5020.028.011	12	15,8	PG 11	14,5	23,0	10,0	42,0	37,5	24,5	1,000	50
5020.028.213	5020.028.013	14	18,5	PG 13,5	13,5	26,5	13,0	46,0	47,0	27,0	1,400	50
5020.028.216	5020.028.016	17	21,2	PG 16	18,0	29,5	13,0	50,0	49,0	27,0	1,800	50
5020.028.221	5020.028.021	23	28,5	PG 21	24,0	37,0	13,0	58,0	57,0	34,0	2,840	25
5020.028.229	5020.028.029	29	34,5	PG 29	32,0	44,0	15,0	67,5	65,0	43,0	4,200	10
5020.028.236	5020.028.036	37	42,5	PG 36	39,5	52,0	15,0	83,0	72,0	51,5	7,200	10
5020.028.248	5020.028.048	50	54,5	PG 48	48,5	64,0	16,0	96,0	84,0	65,0	10,200	5