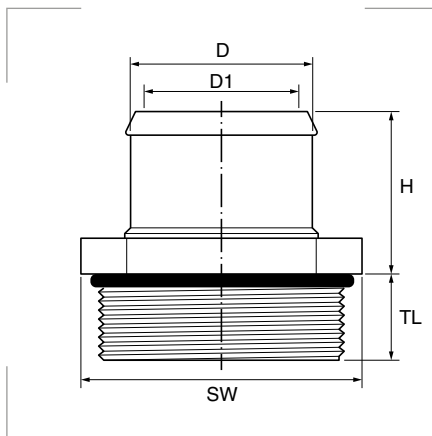


## Racor SERIE 260


**Grado de protección**

Polvo/agua: IP65 - IP68 dependiendo del tipo de tubo.

**Materiales**

 Latón niquelado.  
 Juta tórica de NBR.

**Certificados y normas aplicables**

**Temperatura de trabajo**

-20°C hasta +120°C.

**Descripción**

Para tubos de plástico liso flexibles.

**Recomendado para los siguientes tubos**

Tubo flexible liso Isoflex®

pág. 7

**Rosca métrica**

Referencia	Métrica EN 60423	SW mm	D mm	D1 mm	H mm	TL mm	Emb. uds.
260.1207.1	M 12 x 1,5	17	7	5	22,5	5,5	100
260.1209.1			9	7			100
260.1609.1	M 16 x 1,5	18	9	7	23,0	6,0	100
260.1611.1			11	9			100
260.1612.1			12	10			100
260.1613.1			13	11			100
260.2011.1	M 20 x 1,5	22	11	9	23,0	6,0	100
260.2012.1			12	10			100
260.2013.1			13	11			100
260.2014.1			14	12			100
260.2016.1			16	14			100
260.2513.1			M 25 x 1,5	27			13
260.2516.1	16	14			50		
260.2518.1	18	16			50		
260.2519.1	19	17			50		
260.3221.1	M 32 x 1,5	35	21	19	32,0	7,0	25
260.3223.1			23	21			25
260.3226.1			26	23			25
260.4029.1	M 40 x 1,5	43	29	27	31,0	8,0	10
260.4032.1			32	30			10
260.4034.1			34	32			10
260.5037.1	M 50 x 1,5	54	37	35	38,0	10,0	1
260.5038.1			38	36			1
260.5040.1			40	37			1
260.5044.1			44	39			1
260.6348.1	M 63 x 1,5	65	48	42	50,0	12,0	1
260.6354.1			54	46			1

**Rosca PG**

Referencia	PG DIN 40430	SW mm	D mm	D1 mm	H mm	TL mm	Emb. uds.
260.0710.1	PG 7	15	9,5	8	20,0	6,0	100
260.0909.1	PG 9	17	9,0	7	23,0	6,0	100
260.0911.1		19	12,0	10	20,5		
260.1109.1	PG 11	22	9,0	7	20,5	6,0	100
260.1112.1		20	12,0	10	23,0		
260.1115.1		22	15,0	12	20,5		
260.1312.1		24	12,0	10	20,5		
260.1314.1	PG 13,5	22	14,0	12	22,5	6,5	100
260.1316.1		22	16,0	13	22,5		
260.1616.1	PG 16	24	16,0	14	22,5	6,5	50
260.1618.1		24	18,0	16	22,5		
260.2121.1	PG 21	30	21,0	19	22,5	6,5	50
260.2124.1		32	24,0	21	21,0		
260.2929.1	PG 29	40	29,0	27	31,5	7,5	25
260.2935.1		40	35,0	33	31,0		
260.3636.1	PG 36	50	36,0	34	32,0	9,0	10
260.4242.1	PG 42	60	42,0	39	50,0	10,0	1
260.4848.1	PG 48	64	48,0	46	27,0	10,0	1